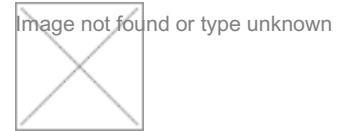


Data sheet

Commercial Art.No.: 72.310.0653.0

Male insert BAS STS 6 2,5 69

Male insert revos basic, 6-poles, rated current: 16A, rated voltage: 690V, with tin-plated contacts



Certificates / Approvals



Technical data

General

Model	Pin insert
Inflammability class of insulation material acc. with UL94	V0
Color	Grey
Mating cycles	200
Pollution degree	3
Modular version	No
Operating temperature range min.	-40 °C
Operating temperature range max.	120 °C

Connection Data

Connection type	Screw connection
Number of poles	4
Plus switching contacts	2
Number of pole for rated current 2	0
Number of pole for rated current 3	0
Total number of poles (without ground contact)	6
With wire protection	Yes
Min. conductor diameter rigid (solid/stranded)	0.5 mm ²
Max. conductor diameter rigid (solid/stranded)	2.5 mm ²
Protective contact	Yes

Technical Data UL/CSA

Rated voltage according to UL/CSA	600 V
Rated current according UL	5 A
Rated current according CSA	16 A
Min. conductor cross section flexible wire	0.5 mm ²
Max. conductor cross section flexible wire	2.5 mm ²
Conductor cross section flexible AWG wire	22-12 AWG

Model

With housing	No
--------------	----

Contacts

Contact material	Copper alloy
------------------	--------------

Surface	Tin-plated
Contact resistance	≤ 1.5 mOhm
Wire strip length	7 mm

Screws head design/recomm. Torque

Mounting screws	H1/0.5-0.7 Nm
Clamping screws	H1/0.5-0.7 Nm
Ground conductor screws	H2/1.2-1.6 Nm

Technical Data DIN EN 61984

Nominal voltage	690 V
Rated voltage face/ground	690 V
Nominal current	16 A
Rated impulse voltage	8 kV

Classification

ECLASS 11	
ECLASS 8.1	27440205
ETIM 7.0	EC000438
ETIM 6.0	EC000438
ETIM 5.0	EC000438
ETIM 4.0	EC000438
ETIM 3.0	EC000438

Product compliance

ROHS conformity status	Compliant/Exempted
ROHS exceptions	III-6(c)
REACH-SVHC conformity status	Duty-To-Declare
REACH-SVHC substances	Lead
REACH-SVHC CAS numbers	7439-92-1

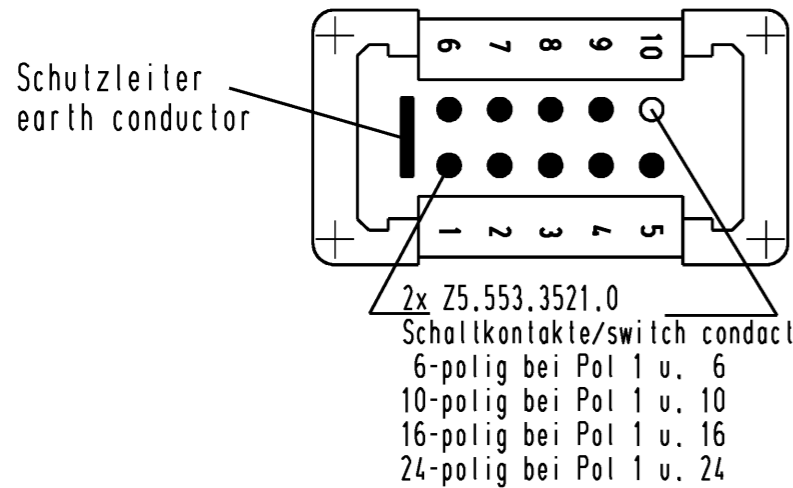
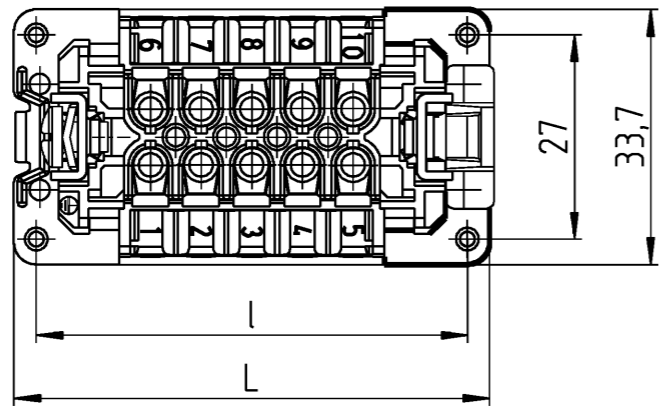
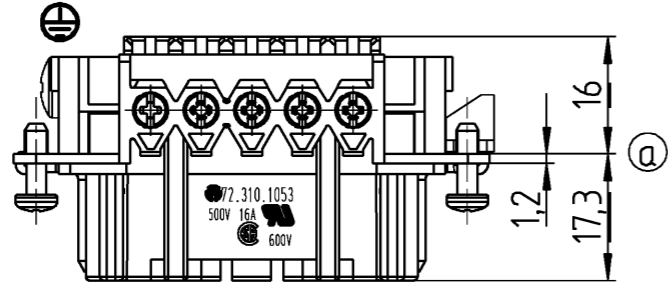
A Weitergabe sowie Vervielfältigung dieses Dokuments, Verwertung und Mitteilung seines Inhalts sind verboten, soweit nicht ausdrücklich gestattet. The reproduction, distribution and utilization of this document as well as the communication of its contents to others without express authorization is prohibited.

B These dimensions will be especially checked at delivery Only inspection dimensions With /E marked dimensions are only valid for internal use

D Diese Maße werden bei Abnahme besonders geprüft Ausschließlich Prüfmaße Mit /E gekennzeichnete Maße sind nur für interne Zwecke gültig

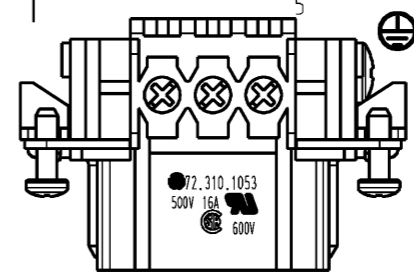
F

gezeichnete Ausführung: 10-polig
drawn version: 10-pole insert

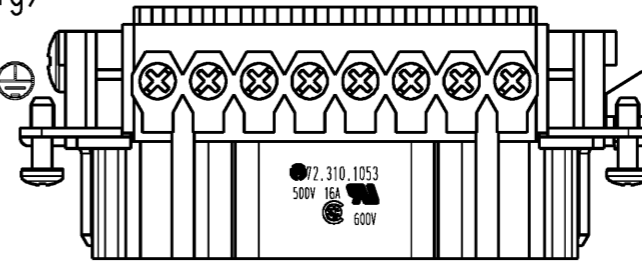


3

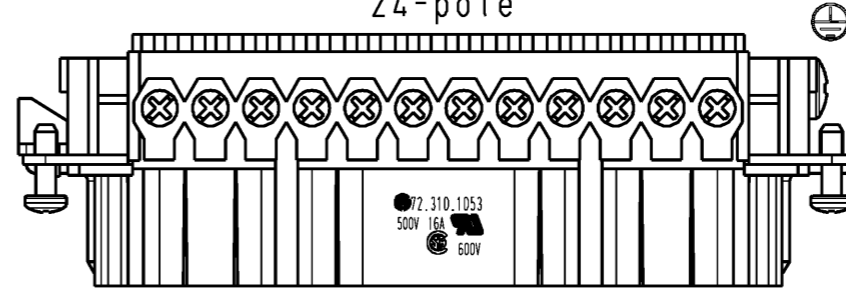
4 Ausführung/
version:
6-polig
6-pole



Ausführung/
version:
16-polig
16-pole

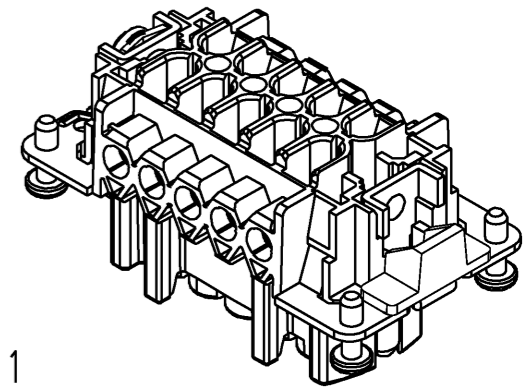


Ausführung/
version:
24-polig
24-pole



6

Weitere Daten siehe Katalog
further data see catalog



1:1

Teile-Nr. part no.	Maß dimension	
	L	I
72.310.0653.0	49,8	44
72.310.1053.0	62,8	57
72.310.1653.0	83,3	77,5
72.310.2453.0	109,8	104

Tolerierung Size ISO 14405 (E) / Tolerance system Size ISO 14405 (E). ja/yes Stoffverbots- und Deklarationsliste nach WN 5020.010 ist einzuhalten. (This ISO-standard describes the envelope principle. According to the envelope principle the deviations of form and parallelism are limited by the size tolerances.) Conformity with Wieland document WN 5020.010 e (list of prohibited / declarable hazardous substances) to be declared!

Freitoleranz nach General tolerance CAD - Zeichnung, keine manuellen Änderungen CAD - drawing, no manual modifications allowed 1. Verwendung: First Use: Blatt: 1 von 1 Sheet: 1 of 1

		Werkstoff / Material		Tag/Date	Name	Zeichnung Nr. / Drawing No.		Index		
		Maßstab / Scale		gezeichnet drawn	03.05.2012	Schmitt J.	T 72.310.0653.0 01K	a		
		1:1		geprüft checked					Maße in mm / Dimensions are in mm	
		Vol. mm ³ / fl./Srf. mm ²		Normgepr. Stand. check	Ersatz für / Replacement for:					
a 23.08.2017 /		www.wieland		Type		Benennung/Title				
Index Datum / Blatt Date / Sheet		www.wieland-electric.com				Steckereinsatz				
Änderung / Revision						6,10,16 u. 24 pol. STS 2,5 690V 16A male insert 6, 10, 16, 24 pole version				

Weitergabe sowie Vervielfältigung dieses Dokuments, Verwertung und Mitteilung seines Inhalts sind verboten, soweit nicht ausdrücklich gestattet. The reproduction, distribution and utilization of this document as well as the communication of its contents to others without express authorization is prohibited.